

UKL Non-Slam Check Valves are lift type non return valves used in pipelines to prevent back-flow of the fluid. Designed to fit between two flanges, these valves provide a compact installation when compared to the conventional flanged end check valves.

The Non-Slam check valves find application in various types of industries such as Chemical, Pharmaceutical, Power Generation, Textile, Water Treatment, Boilers, Breweries etc. These valves are used in process lines, hot & cold water systems, heating systems, steam and condensate lines, oil lines. (Not recommended for pulp lines and compressor delivery lines)

The Non-Slam Check valves have short overall length in comparison with the standard Flanged End Check Valves. The size and weight are considerably reduced. The offers great advantage for installation, handling, transportation and storing.

### FEATURES

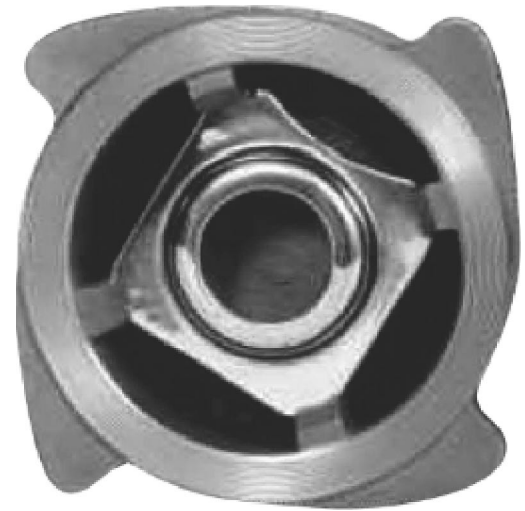
- Compact : Requires little space in pipes
- Light Weight - compared to flanged end valves.
- Extremely low operating pressures
- Lapped seats to provide tight shut-off.
- Soft seat option available
- Easy to install and maintain
- Cam design on body diameter enables self centering during installation
- Can be mounted in any plane.
- Suitable for wide variety of liquids, gases and vapors.
- Size range : 15mm. to 150mm.
- Testing in accordance with API 598
- Available with IBR Certification.

### STANDARDS

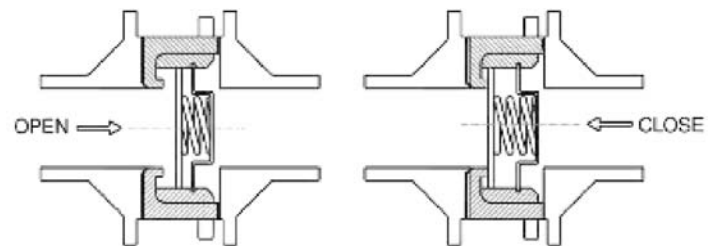
Design : Manufacturer's Standard  
 Face to Face / Dimensions : Manufacturer's Standard  
 Testing : API 598

### OPERATING CONDITIONS

Maximum operating pressure : 41 Kg/cm<sup>2</sup> (g)  
 Maximum operating Temperature : 400 °C

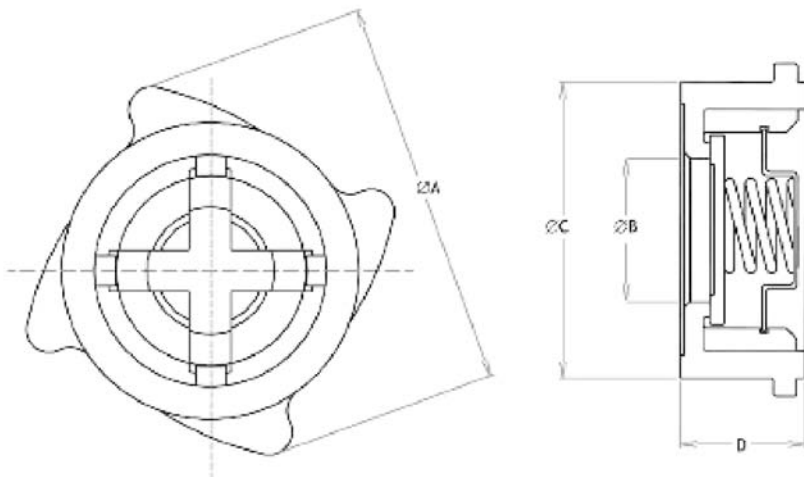


### OPERATIONS



The Non-Slam Check Valves get opened by the pressure of the fluid and get closed by the Spring as soon as the flow ceases.

# Non-Slam Check Valves UDCV



## BILL OF MATERIAL:-

BODY	CF8M
DISC	CF8M
SEAT	METAL
SPRING	SS316
SPRING LOCK	SS316

The optional soft seat available in Nitrile / EPDM / Silicon / Viton / PTFE on request.

SIZE	15	20	25	32	40	50	65	80	100	125	150
A	60	70	80	91	101	115	142	154	184	194	230
B	15	20	25	32	40	50	65	80	100	125	150
C	38	47	55	67	76	93	109	128	148	172	202
D	16	20	22	28	32	40	46	50	60	70	74

● Valve testing as per API 598

### Note :

- All dimensions are in mm unless otherwise specified.
- In the process of continuous improvement of products, the data given herein is subject to change.

### Other Products :



Cast / Forged Steel Piston Valves, Bellow seal valves, High Pressure valves (Gate/Globe), Strainers – “Y” Type, ITVS Steam Traps (Thermodynamic, Thermostatic, Ball Float Traps and IBT), Pressure Reducing Station, Condensate Recovery Products. Level Gauges (Reflex, Transparent, Bicolor), Sight Glass, Hot Water Generation System, Safety and Relief Valves.  
**FSD Products :** Compressed Asbestos / Non Asbestos Fiber Sheetting / Cut Gaskets, Spiral Wound Gaskets / Gland Packing

In view of technical progress designs and dimensions are subject to change without notice.

# UKL®

## UNI KLINGER LIMITED

A joint venture of the Neterwala group of companies and KLINGER AG, Switzerland.

Central Sales Office & Pune Branch : SC1, 5th Fl., Kohinoor Est. Mumbai-Pune Highway, Khadki, Pune-411 003.

Tel.: +91-20-4102 3000 Fax.: (020) 4102 3001

e-mail : salescso@uniklinger.com, salespune@uniklinger.com, Website : www.uniklinger.com

Factory :

C-37, M.I.D.C., Ahmednagar – 414 111, Maharashtra, Tel. : 0241 – 2777223 / 2777512

Fax: 0241 – 2777294, E-mail : fcdworks@uniklinger.com

### Branch Offices :

**Baroda** : 102, Oftel Towers-II 1st Floor, R.C. Dutt Rd, Baroda-390 005, Tel.: 91-0265-2312343 / 2340660, Fax.: 91-265-2341419. E-mail : salesbar@uniklinger.com

**Chennai** : East Coast Centre, 5th Floor, 553, Mount Rd, Teyanampet, Chennai - 600 018, Tel.: 91 - 44 - 24345707. Fax.: 91 - 44 - 24343960. E-mail : saleschen@uniklinger.com

**Kolkata** : 9, Chitrakoot, 8th Floor, 230 A, AJC Bose Rd, Kolkatta-700 020, Tel.: 91-33-22872510, Fax.: 91-33-22876494. E-mail : salescal@uniklinger.com

**Mumbai** : 714, Ecstasy, City of Joy Complex, J.S.D. Rd, Mulund (W) Mumbai - 400080, Tel.: 91-22-25440463, Fax.: 91-22-25440463. E-mail : salesmum@uniklinger.com

**New Delhi** : 1003, 10th Flr., Indra Prakash Bldg. 21, Barakhamba Rd, Connaught Place New Delhi-110001, Tel.: 91-11-41658767, Fax.: 91-11-41658768. E-mail : salesdel@uniklinger.com



ISO 9001  
AN ISO 9001 : 2015  
COMPANY