

# Centrifugal Pumps



CLA Series

CEDAD/CFP-CLA Series; Issue: 00.



Call us  
Toll free: 1800-103-3567  
[www.idmc.com](http://www.idmc.com)

The CLA series centrifugal pumps (in CLA-05, -10, -15, -20 and -25 sizes) are designed to meet the requirement of sanitary applications. These pumps are available with both single and double shaft seal facility to cover a variety of applications.

## Features

- Closed-coupled hence flexibility of integrating with any make of motor
- Open impeller with unique blade design for smooth flow
- Circular concentric volute casing with diffuser design
- Silent operation
- Designed as per EHEDG and 3A guidelines
- Low operating cost
- Durable seal
- Easy conversion facility from single to double mechanical seal arrangement
- Suitable for CIP and SIP application
- Ease of maintenance: Front loading Seal



## Application

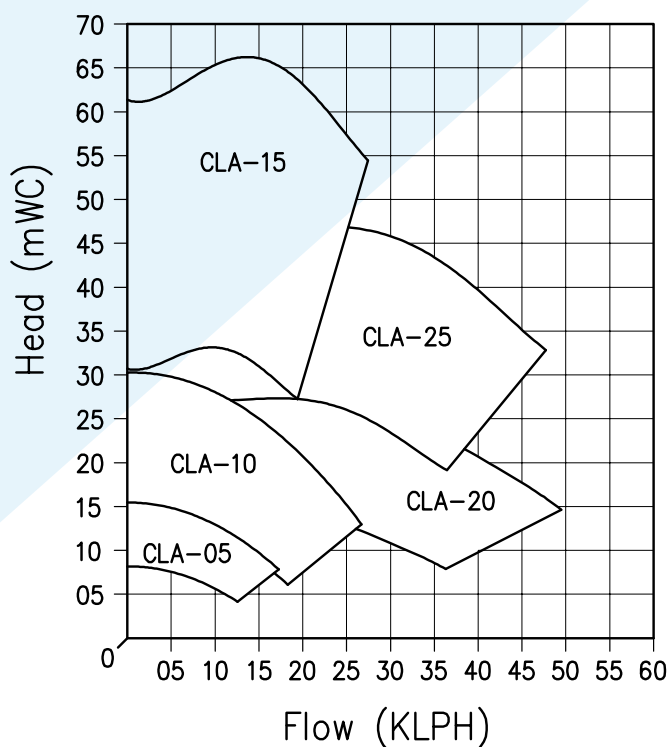
Dairy, Food, Pharma, Brewery and Beverages

## Technical data

- Product wetted steel parts : AISI 316L
- Other steel parts & Motor Shroud : AISI 304
- Mechanical seal Combination : SiC/C, SS/C, SiC/SiC
- Gaskets : EPDM / VITON
- Product Contact Part Ra Value : Ra 0.8–1.6 $\mu$ m (EP available on request)
- Temperature range : -10°C to 140° C
- Motor : 3Ph., 2/4 pole, IP55 Protection as per IEC standard
- Maximum Flow : 45 KLPH
- Maximum Head : 65 mWC

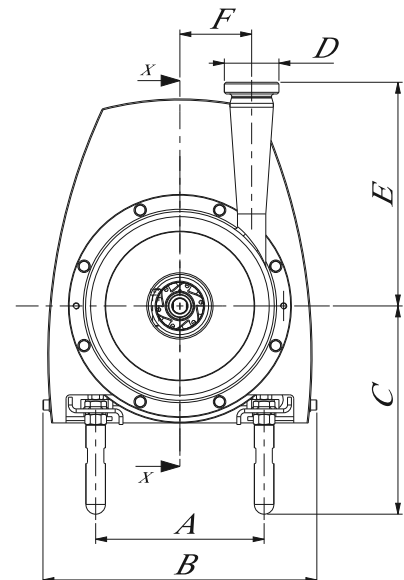
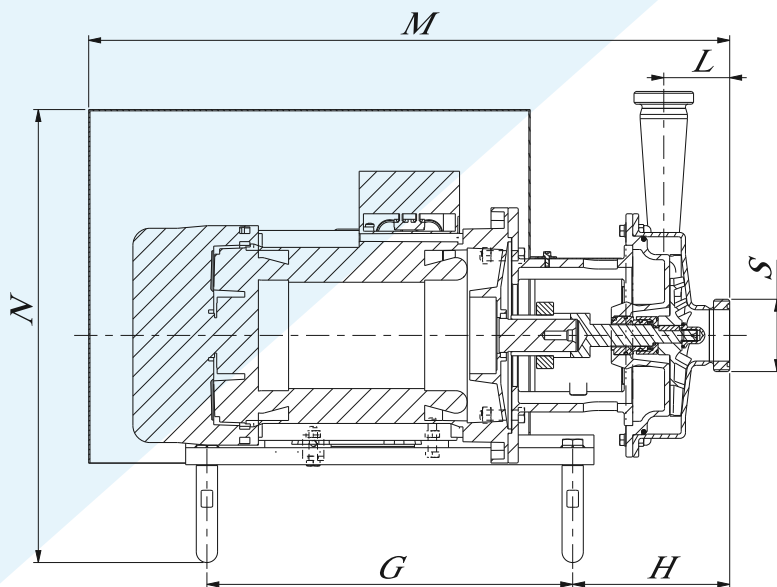
Note : Flame proof motors are available on request.

## Family Curve



## Standard dimensions

MODEL	HP	FRAME SIZE	SMS-S	SMS-D	A	B	C	E	F	G	H	L	M	N	Wt (kg)
CLA-05-110	0.75	71	51	38	112	238	200	181	58	230	143	59	483	362	25
	1	80	51	38	125	250	205	181	58	230	148	59	481	361	29
	1.5	80	51	38	125	250	205	181	58	230	148	59	481	361	32
CLA-10-146	1.5	80	51	38	125	250	205	190	75	230	182	68	548	370	42
	2	90	51	38	140	250	225	190	75	310	171	68	598	390	45
	3	90	51	38	140	250	225	190	75	310	146	68	600	390	49
CLA-15-205	3	90	51	38	140	286	225	262	97	310	190	74	671	431	64
	4	100	51	38	160	286	255	262	97	375	207	74	696	451	86
	5	100	51	38	160	286	255	262	97	375	207	74	696	451	87
	5.5	112	51	38	190	305	247	262	97	375	214	74	736	486	89
	7.5	132	51	38	216	339	267	262	97	430	185	74	781	528	177
	10	132	51	38	216	339	267	262	97	430	185	74	781	528	121
CLA-20-150	2	90S	63	51	140	266	225	226	73.5	310	164	79	611	415	53
	3	90L	63	51	140	266	225	226	73.5	310	164	79	611	415	57
	4	100	63	51	160	286	255	226	73.5	375	181	79	644	440	79
	5	100	63	51	160	286	255	226	73.5	375	181	79	644	440	80
	5.5	112	63	51	190	320	247	226	73.5	375	181	79	684	490	82
CLA-25-190	4	100	63	51	160	286	255	286	92	375	206	78	696	451	84
	5	100	63	51	160	286	255	286	92	375	206	78	696	451	85
	5.5	112	63	51	190	305	247	286	92	375	214	78	736	486	87
	7.5	132	63	51	216	339	267	286	92	430	185	78	781	532	115
	10	132	63	51	216	339	267	286	92	430	185	78	781	532	120



### Registered office

124-128, GIDC Estate  
 Vithal Udyognagar 388 121  
 Anand district, Gujarat, India

Ph: +91-2692-220521, 236375  
 e-mail: idmc@idmc.com  
 Website: www.idmc.com  
 Toll free: 1800-103-3567

### Regional offices

Bangluru +91-9624000568  
 Gurugram: +91-124-4931370  
 Mumbai: +91-7698003910  
 Patna: +91-9934360635