



## Thermostatic Steam Trap with inbuilt Strainer

### Description:

The new generation steam trap, thermostatic balanced pressure type. The liquid filled capsule senses the enthalpy difference between condensate and steam effectively trapping steam and allowing condensate to be discharged. Unique Protected bellow design ensures longer capsule life. Specially recommended for Steam tracing lines.

### Pipe Connections :

Sizes available : 15, 20, & 25 mm

Threaded to BSP / BSPT / NPT

Socket weld to ANSI B 16.11

Flanged -CI 150 / CI 300 / CI 600 /

### Optional :

IBR - Non IBR

Blow down Cock

All Stainless steel trap

6 mm trap for instrument tracing

### Operating Conditions

PMA - 40 bar @ 120°C

TMA - 425°C

PMO - 31 bar

Delta P max - 31 bar

Minimum operating pressure - 0.3 bar

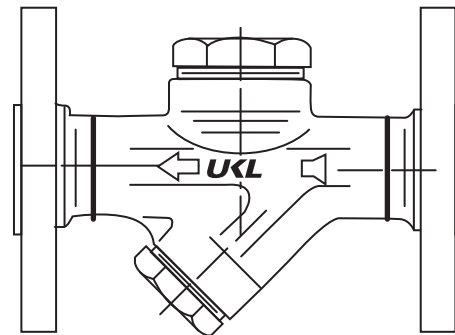
Sub cooling Temp. available - 10 - 15°C

### Others on request

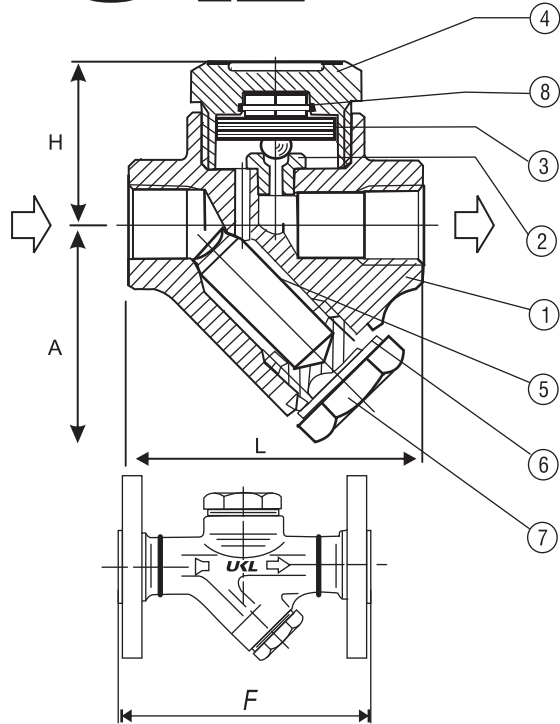
### Sizing

To select and size a steam trap the following factors must be considered:

- Maximum operating pressure, and maximum differential pressure, back pressure, condensate lift height, etc.
- Maximum quantity of condensate To be discharged under normal operating conditions. Safety factor for the flow capacity, during the critical start up phase :
  - with continuous flow use a factor of 1,5-2
  - with non continuous flow us a factor of 2-2,5

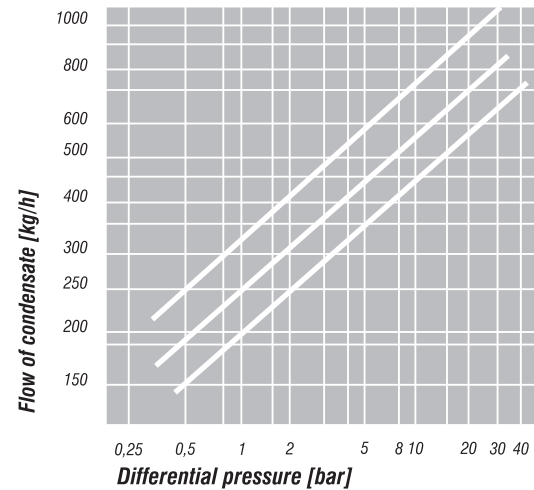


# UKL®



## FLOW CAPACITY

Test method : ISO 7842 / subcooling: 10 - 15°C



### Material and partlist

1	Body	ASTMA105N
2	Sede/ Seat	AISI316
3	Bellow	Stainless Steel
4	Cover	ASTM A 105N
5	Strainer	Stainless Steel
6	Gasket	SPW graphite
7	Filter cap	ASTM A 105 N
8	Ring	AISI304

### Dimensions mm

Connections		15	20	25
NPT, BSP, SW	L	80	90	90
	H	45	55	55
	A	60	70	70
DIN-PN 40	F	224	242	246
FLANGES ANSI 150	F	212	222	226
FLANGES ANSI 300	F	226	242	244
FLANGES ANSI 600	F	238	254	258

### Other Products



Cast / Forged Steel Piston Valves, Strainers - 'Y' Type



Steam Traps - Thermodynamic, Thermostatic, Ball Float Traps, Pressure Reducing Station, Condensate Recovery Products

Manual & Actuated Ball & Butterfly Valves / Bellow Sealed Valve / Level Gauges - Reflex, Transparent. Bicolor,

FSD Products : Full range of Comp. Asbestos/Non Asbestos fibre Sheeting / Cut gaskets, Spiral Wound Gaskets

### Spares available :

- 1) Capsule
- 2) Strainer

In view of technical progress designs and dimensions are subject to change without notice.

# UKL® UNI KLINGER LIMITED

- AN ISO 9001:2000 COMPANY



Quality Registrar

**Sales Office :** Sc1, 5th Fl., Kohinoor Est. Mumbai-Pune Highway, Khadki, Pune-411003

Tel. : 91-20-25823244 Fax : (020) 25817566 e-mail : salesco@uniklinger.com / salespune@uniklinger.com

Website : www.uniklinger.com

**Factory :** C - 37, M.I.D.C., Ahmednagar - 414111. Maharashtra. Tel.: 0241 - 2777223 / 2777512

Fax: 0241 - 2777294. E-mail: fcdworks@uniklinger.com

### Branch Offices :

**Baroda :**  
102, Offitel Towers II,  
1st Floor,  
R.C. Dutt Road,  
Baroda- 390 005.  
Tel.: 91-265-2312343/2340660  
Fax : 91-265-2341419  
e-mail :  
salesbar@uniklinger.com

**Chennai :**  
East Coast Centre,  
5th Floor, 553, Mount Rd.,  
Teyanampet,  
Chennai- 600 018.  
Tel.: 91-44-24345707  
Fax :91-44 -24343960.  
e-mail :  
saleschen@uniklinger.com

**Kolkata :**  
9, 'CHITRAKOOT',  
8th Floor, 230 A,  
AJC Bose Road,  
Kolkata- 700 020.  
Tel.: 91-33-22872510  
Fax: 91-33-22876494  
e-mail :  
salescal@uniklinger.com

**Mumbai:**  
A-204, Nagesh Co-op. Hsg. Soc.,  
LBS Marg, Navapada,  
Thane -400 602.  
Tel. :91-22-25421140  
91-22-25440461  
Fax:91-22-25440463  
e-mail :  
salesmum@uniklinger.com

**New Delhi:**  
321, Ansal Chamber-II,  
6, Bhikaji Cama Place,  
New Delhi-110 066.  
Tel. : 91-11-41658767  
91-11-26193847  
Fax: 91-11-41658768  
e-mail :  
salesdel@uniklinger.com